

O⁴

The
Wheel-Chair

Easy Hopper



O⁴

O⁴

The
Wheel-Chair

O⁴ GmbH
Siemensstraße 31
47533 Kleve
Germany
Phone: +31 315 396 900
Fax: +31 315 396 909
sales@O4.eu
www.O4.eu

Foreword	2
Product description	3
Technical specifications	5
Safety instructions	6
Settings and adjustments	8
Use	12
Folding up the wheelchair	13
Transportation	14
Maintenance	15
Warranty	17

Details subject to change.

The information in this manual is based on the technical specifications which applied to wheelchairs at the time of printing.

Since that time, technical modifications may have been made to the wheelchairs other than those listed in the manual.

The EasyHopper is a sporty, contemporary wheelchair with an attractive curved aluminium frame. For the independent user who leads an active and energetic life, this organically designed wheelchair offers a large number of settings allowing a high degree of seating comfort and excellent riding characteristics.

The user can find an ideal balance between manoeuvrability and stability by the infinite adjustment of the RCA*-Seat System in relation to the rear wheels. The comfort of the ergonomically curved seat frame is increased by the additional backrest angle adjustment, which may be adjusted during use to change the sitting position as required.

The EasyHopper is splash proof and suitable for everyday use, both indoors and outdoors. The EasyHopper is not designed as a sports wheelchair.

Depending on the model, the maximum weight of the occupant is 90 kg. This is shown on the CE sticker.

By complying with European standards BS EN 12182, BS EN 12183, BS EN 1041 and ISO 7176-15, the EasyHopper is deemed to meet the essential requirements for medical devices in accordance with 93/42/EEC.

Please note

Sections which are important for your safety are marked in the text with a safety symbol.

Tip

For tips and tricks, please consult www.o4.eu under Comfortably mobile.

* RCA: Remote Continuous Adjustable

O⁴ GmbH
Siemensstraße 31
47533 Kleve Germany
Phone: +31 315 396 900
Fax: +31 315 396 909
sales@O4.eu



Check the items supplied

Before you begin using the wheelchair, check that the items supplied match the product description below. If you believe that the product has been damaged during transportation, please notify your supplier. We are sure that the EasyHopper will meet all your expectations and we hope you will enjoy using it.

EasyHopper

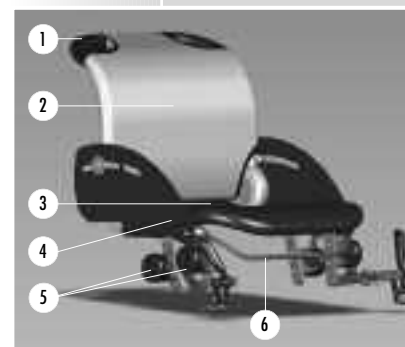
1. Wheel lock (optional)
2. Anti-tip wheels
3. Frame
4. Front castor with swivel fork
5. Rear wheel
6. Pressure brakes
7. Footrest



EasyHopper

RCA Seat System

1. Push handle (integrated)
2. Backrest
3. Seat
4. Side panel
5. Positioning component for setting the seat height, sitting angle and wheel balance (the "Interface")
6. Control bracket for adjusting the backrest



RCA-Seat System

These instructions describe the standard products (unless explicitly stated otherwise). There are obviously many other possibilities; these are listed under options and accessories (see page 4).

Product description

O⁴

Options

Various options are available for both the EasyHopper and the RCA-Seat System:

- (Detachable) rear wheel with standing lock
- Footplate with heel guard and slots for foot loop

Accessories

- Side panel with splash guard / armrests
- Sitting position belt (for an extra stable sitting position)

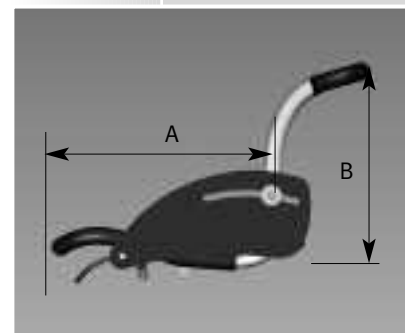
Utilisation

The wheelchair is delivered by your dealer ready for use.
Remove any protective foil from the push-rims of the wheels.

O⁴

Technical specifications

RCA-Seat System



RCA-Seat System

• Sitting width (C) in cm

34
36,5
39
41,5
44
46,5
49
51,5

- Sitting depth (A) 40 / 42.5 / 45 / 47.5 / 50 cm
- Seat height front (F) 48.5 ... 53.5 cm
- Seat height rear (G) 43.5 ... 58.5 cm
- Back height (B) 40 / 50 cm
- Backrest range 90° - 115° (in increments of 2.5°)

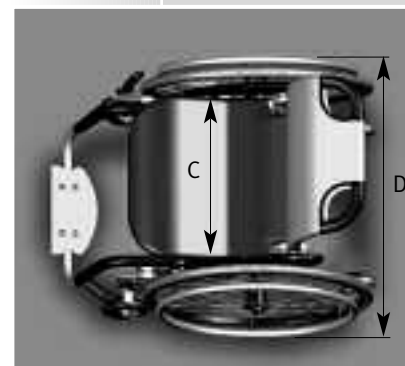
Carrier

- Inclination of wheels 3° (each side)

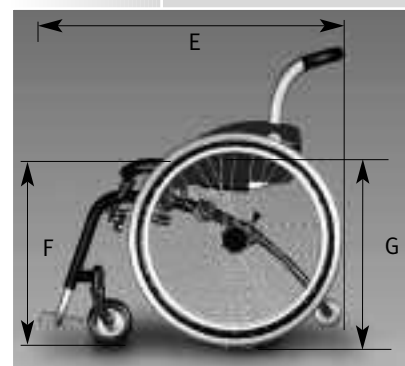


Inclination of wheels

- Variants:
 - Various wheel combinations (standard 24" rear and 5" front with 5" fork)
 - 2 Frame lengths: type 34 and 40
 - Leg rest on front: type U, V8 and V16
- Length (E) 80.5 / 86.5 cm
- Width (D) = Sitting width (C) + 17.5 cm
- Maximum weight of occupant = 90 kg
- Total running weight of EasyHopper with RCA Seat System (for example: type 36.5 - 40 - 40 = 15.5 kg)



EasyHopper RCA-Seat System



EasyHopper RCA-Seat System

Assembly and adjustments

- Before using the wheelchair, check that the removable parts (wheels, armrests and footrests) have been securely attached.

Sitting in the wheelchair

Caution: make sure that your fingers do not become trapped between the frame and the wheels or between the spokes of the wheels.

The occupant or the attendant must watch out for this in the following cases:

- If the wheelchair is tilted a long way backwards.
- If the occupant is at an angle in the seat.
- If the occupant's arms are hanging limply down over the armrest.
- If there is a combination of the above cases.

Riding in the wheelchair

Caution: when riding on a slope, the centre of gravity will change and the wheelchair can easily tip backwards. Always make sure that the anti-tip wheels are properly adjusted (see also the warning sticker on the frame tube).

Caution: contact between your calves and the red control bracket under the seat may disconnect the backrest. If possible, use a calf loop or heel loop.

- Be careful with your hands when operating the push-rims there is limited space to the left or right of the wheelchair.
- The wheelchair must never be left on a slope with the brakes off.
- Put the wheelchair's brakes on before getting into or out of the wheelchair or undertaking a transfer.
- Use the wheel lock only to lock the rear wheels when they are motionless. The wheel lock cannot be used to slow down the wheelchair.

Transporting the wheelchair

- The EasyHopper is not suitable for transport in taxi buses when occupied.



Environmental factors

Environmental factors such as temperature and humidity may damage the wheelchair. The manufacturer advises that the EasyHopper should be used in ambient temperatures between -15°C and +40°C.

Caution: prolonged exposure to the sun may cause parts of the wheelchair to become hot. Be aware of this!

Slopes and other obstacles

- Always make sure that the anti-tip wheels are properly adjusted (the default setting is for the castor wheel to be 9 cm above the ground when the anti-tip wheel is on the ground).
- The risk of the wheelchair tipping over is greater on a slope than on a level surface.
- Never tackle obstacles higher than 10 cm on your own. In general only skilled users, who have sufficient strength, are capable of tackling obstacles up to 10 cm.
- When getting down a kerb, always go backwards, to prevent the wheelchair from tipping forward and you falling out of it.
- Never go down a staircase in the wheelchair on your own.
- Seek help from others when you are not sure that you can reach the highest point independently.
- Never go up or down a slope with a gradient of more than 5°.
- Going up a slope: lean your upper body forwards and move the backrest to the front. This reduces the risk of tipping backwards. Going down a slope: lean your upper body backwards and move the backrest to the rear. This reduces the risk of tipping forwards.
- Do not turn on a steep slope. When the wheelchair is positioned across a steep slope, there is a high risk of tipping.
- When descending, always keep your speed under control.
- Only slow the wheelchair down by means of your hands on the wheel rims and not by using the wheel lock. Otherwise, there is a risk that you will lose control of the wheelchair.
- Do not remove the anti-tip wheels, on account of the active adjustment of the EasyHopper.

For more information on safe riding in a wheelchair, please consult www.o4.eu under Comfortably mobile.

RCA-Seat System

Setting the seat height

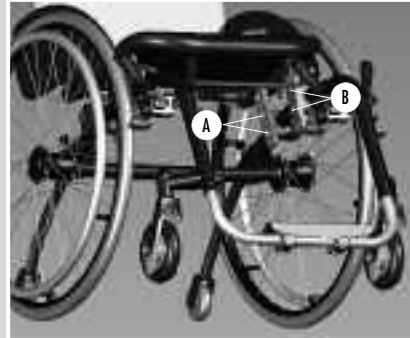
1. Loosen the Allen screws (A and B) a little on both sides.

First adjust the height of the front.

2. Remove the Allen screws B on both sides.
3. Set the desired seat height (front).
4. Insert and hand-tighten the Allen screws B on both sides.

Then adjust the height of the back.

5. Repeat steps 2 to 4, but for the Allen screws A on both sides.
6. Finally, fully tighten all the screws.



Setting the seat height, sitting angle and riding characteristics.

Setting the sitting angle

You can set the sitting angle to various positions.

1. Loosen the Allen screws (A and B) a little on both sides.
2. If the seat height is set correctly at the front, remove Allen screws A. If you want to change the seat height at the front, remove Allen screws B.
3. Set the desired sitting angle.
4. Place and insert the Allen screws.

*If necessary, adjust the wheel balance again.**

5. Finally, fully tighten all the screws.

Setting the sitting angle moves the centre of gravity with respect to the rear wheels.

*Wheel balance

- Loosen the Allen screws (A and B) on both sides.
- Slide the RCA Seat System forwards (more stable) or backwards (more manoeuvrable and agile).
- Tighten the Allen screws again.

Caution: when adjusting the wheel balance, too much rear wheel pressure increases the risk of tipping backwards.

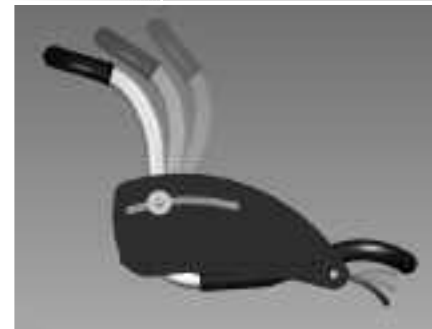


Adjusting the backrest angle

The backrest angle is adjustable and may be adjusted during use.

1. Relieve the tension on the backrest by reducing the pressure on a little. Move the red control bracket under the seat upwards.
2. Set the desired backrest angle.
3. Release the red control bracket.

When tension is placed on the backrest a clicking sound will be heard.



Adjusting the backrest angle

Tips:

- Select a larger backrest angle in places with a high rolling resistance, this makes riding easier.
- When ascending a slope, select a smaller backrest angle.

EasyHopper

Setting the lower leg length

The sitting angle and seat height must be set before you can set the lower leg length.

1. Loosen the Allen screw (A) and nut on the footrest.
2. Set the desired lower leg length.



Caution: observe a minimum safety distance 6 cm from the ground.

3. Tighten the Allen screw again.



Setting the lower leg length

Adjusting the anti-tip wheels

The anti-tip wheels can be adjusted and/or retracted using the pull button.

1. Pull out the button and turn it a quarter.
2. Set the desired height from the ground (the default setting is for the castor wheel to be 9 cm above the ground when the anti-tip wheel is on the ground). Listen for the 'click'.
3. Turn the button a quarter back and release it.
4. Check that the anti-tip wheel is fixed.



Adjusting the anti-tip wheels

Wheel lock (optional)

The wheel lock is affixed in the hub of the hand-rim wheel. Turn back the lever to lock the wheel.

Disengage the brake on the wheel before removing or replacing the rear wheel.



Hub brake

Inflating the tyres

The tyres can be inflated to the correct pressure using a tyre pump suitable for a car tyre valve. A reducing valve is required for this. The tyres may also be inflated using a high pressure (bicycle) pump. The correct tyre pressure is shown on the tyres (6 – 10 bar).

To ensure comfortable riding in the wheelchair, i.e. with the lowest possible rolling and rotational resistance, it is important that the tyres have the correct pressure. If the tyre pressure is low, the wheelchair is heavier to ride and manoeuvre.

Advice

To safeguard the warranty and to ensure your safety, the manufacturer recommends that the settings should be carried out by your supplier.

Getting into and out of the wheelchair independently

Caution: put the brakes on before getting into and out of the wheelchair. If applicable, remove the side panels and armrests before getting in or out.

Tackling obstacles with the attendant

1. Push the handles down.
2. Push the wheelchair to the elevation (obstacle).
3. Push the wheelchair further and lift the rear wheels over the obstacle with the handles.

Getting up a kerb can be done forwards, getting down a kerb is better carried out backwards.

Caution: when descending a slope, keep the speed under control.

Before tackling obstacles independently, the manufacturer advises that you should first practise extensively under the supervision of a therapist. For tips and tricks, please consult www.o4.eu under Comfortably mobile.

Caution: when riding on a slope or uneven terrain (for example forest paths), the centre of gravity will change and the wheelchair can easily tip backwards. The wheelchair is equipped with anti-tip wheels. These should never be removed and should always be adjusted according to the type of use. Less experienced users can adjust the wheelchair to less active settings. This makes the wheelchair heavier to ride, but also makes it more stable.



Stairs



Kerb



Slope

**Folding up the wheelchair**

You can remove the wheels. Disengage the brake on the rear wheel. Press the axle button in with your thumb and pull the wheel and the axle out of the frame. Keep the axle button pressed in while doing this.



Removing the wheel



Folding up the wheelchair

In combination with the RCA Seat System, the backrest can be folded forwards on to the seat (see page 9, adjusting the backrest angle).

In addition, you can retract the anti-tip wheels (see page 10, adjusting the anti-tip wheels).

After folding up the wheelchair, all the components can be transported separately.



Caution: make sure that your fingers do not become trapped between the separate components. It is advisable to lift the wheel by the push-rim.

Transportation

The EasyHopper is not designed as a crash-proof wheelchair and is not suitable for transport in taxi buses when occupied.

The manufacturer advises the occupant to transfer to a fixed seat.

In its folded up state, the EasyHopper should be transported in the boot or on a passenger seat of a car (see page 13).

The anti-tip wheels can be adjusted and/or retracted using the pull button, for example for transportation.

Retracting the anti-tip wheels makes the wheelchair compact, for example for being transported in a car.

Caution: retracting the anti-tip wheels may give rise to dangerous situations, if the users forgets to pull them out again when making the wheelchair ready for use.



Cleaning

Regularly clean your wheelchair with a damp cloth, water and a multipurpose cleaner.

Caution: never use aggressive cleaning agents or solvents such as thinners, cleaning benzene and the like.

Consult your supplier about the disinfection of your wheelchair.



Routine maintenance (every two weeks)

You can carry out routine maintenance to the EasyHopper yourself. Check the tyre pressure. Soft tyres result in heavier riding characteristics on account of the increased rolling and rotational resistance. Check that all attachments and accessories are securely in place. If necessary, tighten them with an appropriate Allen key.

Caution: over-tightening the screws may damage the wheelchair.



Annual maintenance

Your supplier will be pleased to carry out the annual maintenance of your wheelchair free of charge. In this way, you can be sure that your wheelchair is in optimum condition.

Please also contact your supplier for the replacement of parts. There is no service manual available for the EasyHopper.

Repairs

In the unlikely event of technical problems with your wheelchair, we advise you to immediately contact your supplier. The supplier will assess whether he can repair the wheelchair or whether it needs to be returned to the manufacturer for repair.

Caution: *inexpert repairs may lead to injury.*

In addition, the product warranty will be invalidated. Use common sense and consider whether you are capable of resolving technical problems on the wheelchair yourself. If in doubt, always consult your supplier. Always adhere to this manual and your supplier's advice when adjusting and (dis)assembling parts. Avoid all dangerous situations for the occupant of the wheelchair (and attendant, if applicable)!



The EasyHopper is guaranteed to be free from frame breakage for a period of 2 years. The obligation of the manufacturer under this warranty is limited to the repair or replacement of parts.

The warranty does not in any case cover defects arising as a result of: non-compliance with operating or maintenance instructions, non-standard use, normal wear and tear, negligence, overloading, accidents caused by third parties, the use of non-original parts or defects of which the cause is located outside the product.

This warranty supersedes any other warranties: laid down by law, or communicated verbally, except that which is warranted by the manufacturer in writing.

Warranties are valid exclusively within the EU.

Your supplier:

O⁴

The
Wheel-Chair